



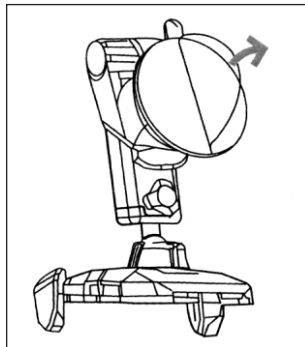
# TOUCH-FRAME

## Quick Installation



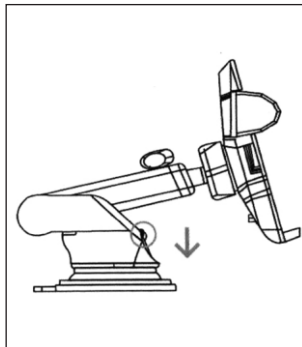
UNIVERSAL CAR MOUNT SOLUTION

### Step 1:



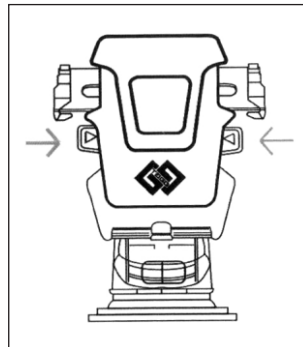
Peel the protective skin from the suction pad.

### Step 2:



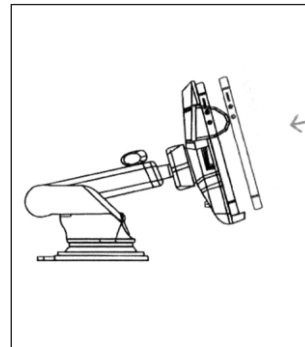
- Place the Suction Pad on desired surface & Press Down
- Pull the lever to secure the mount

### Step 3:



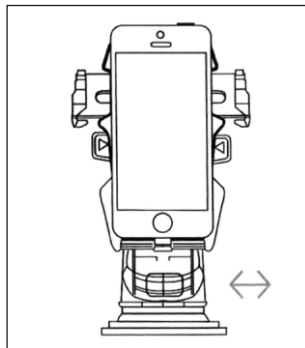
Press the Side buttons into locking position.

### Step 4:



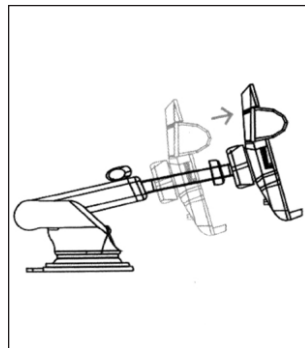
Place your device inside the mount firmly to activate the one touch locking system.

### Step 5:



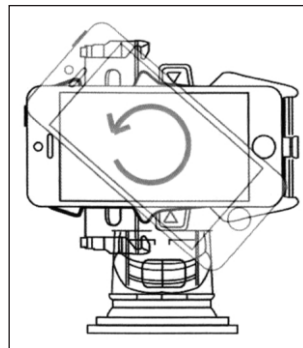
Adjust bottom foot to locate proper position.

### Step 6:



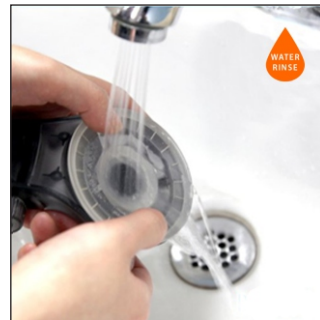
- Loosen knob to extend telescopic arm to desired length.
- Tighten knob to fasten in place.

### Step 7:



Adjust cradle in any angle with ball pivot joint.

### Reusable



Write us : [support@4comtechnologies.com](mailto:support@4comtechnologies.com)  
Call us : 011-41012060



Thank you for choosing TAGG as your trusted brand of Car Mobile Mount and sincerely hope you enjoy the quality TAGG provides. We love making our customers happy by providing true value with our products. If for any reason you are not completely satisfied with your purchase, let us know and we will do anything to make your experience better.


**Contact Us:** [support@taggdigital.com](mailto:support@taggdigital.com)  
**Website :** [www.taggdigital.com](http://www.taggdigital.com)

**We are Social, Follow us on:-**

 <https://www.facebook.com/TAGGDigital/>

 <https://twitter.com/TAGGOOfficial>

 [https://www.instagram.com/tagg\\_digital/](https://www.instagram.com/tagg_digital/)

 [https://www.youtube.com/channel/UCjLX5UcN\\_tHFaMeFBplqJhg](https://www.youtube.com/channel/UCjLX5UcN_tHFaMeFBplqJhg)